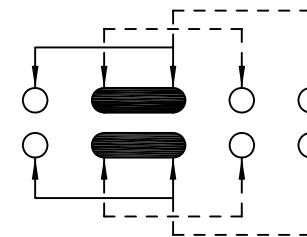
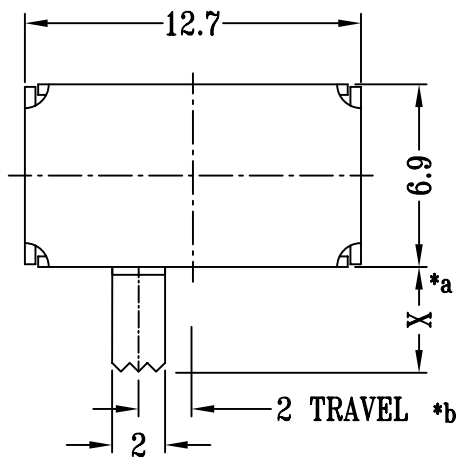
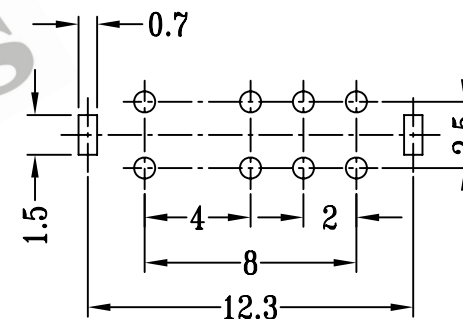
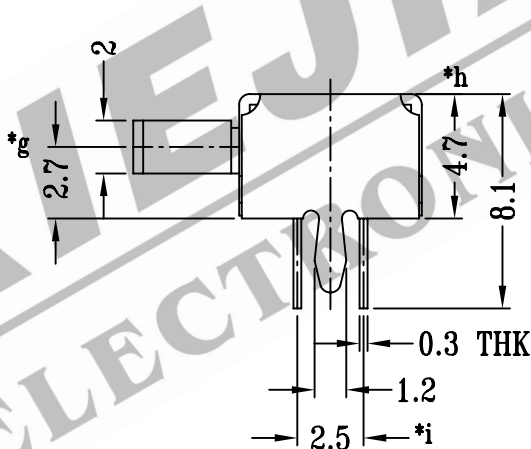
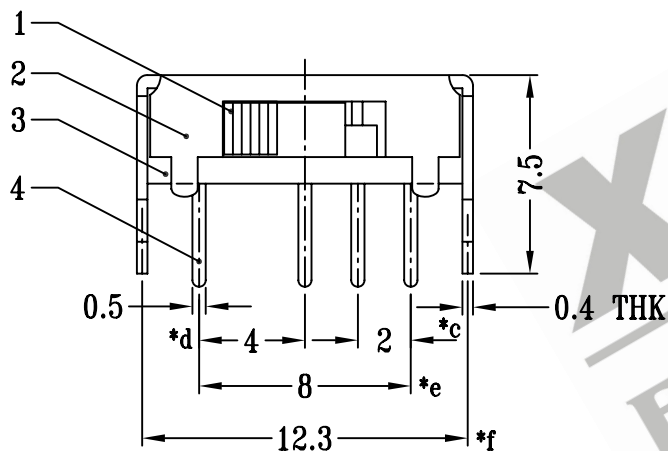


CAD FILE:



**SCHMATIC (SHORTING)**



**P.C.BLAYOUT**

注:带"\*"表示关键尺寸(7个)

NO.	PART NAME	MATERIAL	Q'TY	FINISHING	TOLERANCE UNLESS SPECIFIED	SHENZHEN XIEJIA ELECTRONICS CO.,LTD.			
8						ISSUE	DATE	DESCRIPTIONS	APPD.
7	CONTACT CLIP	PBS	2	Ag CLAD					
6	SPRING	SUS	1	NATURAL	WITHIN: 1.5±0.1mm				
5	STEEL BALL	STEEL	1	Ni PLATED	OVER : 1.5±0.2mm				
4	TERMINAL	BRASS STRIP	8	Ag PLATED OVER Ni PLATED	TITLE : HORIZONTAL SLIDE SWITCH	UNIT : MM	DRWG NO.: XJ-DR-SK23D07-00		
3	BASE	PHENOLIC RESIN	1	NATURAL					
2	FRAME	STEEL STRIP	1	Ni PLATED	MODEL: SK-23D07	SCALE: 7:2	DWN.	ZHOUYU	2007-6-2
1	KNOB	POM	1	BLACK			CHK'D	FANGYING	2007-6-2
ALL MATERIALS MUST BE COMPLIANT TO ROHS					APPD.	KANGXINAN	2007-6-2		